

HELI • ELECTRIC FORKLIFT • CPD15



STANDARD SPECIFICATIONS

CPD15

CHARACTERISTICS

Load capacity	kg	1.500
Load center	mm	500
Power type		Battery
Standard lifting height	mm	3.000
Free lift	mm	155
Overall length (with forks)	mm	2.960
Overall length (to face of forks)	mm	2.040
Overall height (overhead guard)	mm	2.130
Overall width	mm	1.070
Overall weight incl. battery	kg	3.200

WHEELS & TIRES

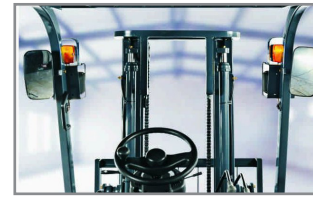
Tire type		Pneumatic
Tire size front		6.50-10-10PR
Tire size rear		5.00-8-10PR
Number of Wheels (X=driven) front/rear		2x/2
Wheel base	mm	1.250

PERFORMANCE

Outer turning radius	mm	1.820
Travel speed (fwd/rvs) with/without load	km/h	14/15
Lifting speed with/without load	mm/s	290/450
Lowering speed	mm/s	450
Drawbar pull with load	N	8.600
Gradeability with load	%	17

BRAKES

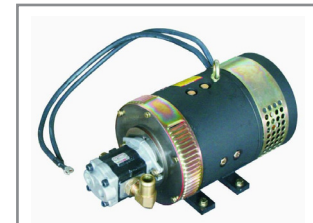
Service brake		Hydraulic
Parking brake		Mechanical



- Newly designed wide-view mast •
↓ blind area



- High-power AC motor •
Travel speed ↑ 15%



- UNLOADED lifting speed ↑ 20%
LOADED lifting speed ↑ 12%

HELI • ELECTRIC FORKLIFT • CPD15

BATTERY & MOTOR CPD15

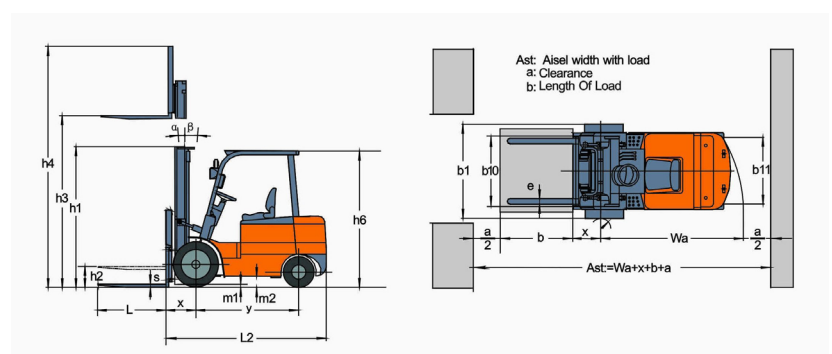
BATTERY CPD15			
Voltage / Rated Capacity (5h)	V/Ah	48/400	48/550*
Battery weight	kg	975	1075
Compartment for battery storage	mm	617 x 980 x 465	727 x 980 x 500
MOTOR & CONTROLLER CPD15			
Drive motor - 60 min. rating	kW	8.0 (AC)	
Drive motor - 15 min. rating	kW	7.5 (AC)	
Drive Motor Control Method		MOSFET/AC	
Pump Motor Control Method		MOSFET/DC	
Relief Pressure	Mpa	14.5	

*As a consequence of the higher capacity, some of the dimensions slightly differ from the dimensions on the frontpage.

MAST DIMENSIONS CPD15 (not exhaustive)

Lifting height	DUPLEX MAST		Lifting height	DUPLEX MAST FULL FREE	
	Lowered height	Free lift		Lowered height	Free lift
2.500 mm	1.500 mm	/	2.500 mm	1.500 mm	735 mm
3.000 mm	1.500 mm	/	3.000 mm	1.500 mm	985 mm
3.500 mm	1.500 mm	/	3.500 mm	1.500 mm	1.235 mm
4.000 mm	1.500 mm	/	4.000 mm	1.500 mm	1.535 mm
4.500 mm	1.350 mm	/	4.500 mm	1.350 mm	1.785 mm
5.000 mm	1.000 mm/1.250 mm*	/	5.000 mm	1.000 mm/1.250 mm*	2.035 mm
5.500 mm	900 mm/1.150 mm*	/	5.500 mm	900 mm/1.150 mm*	2.335 mm
6.000 mm	600 mm/1.050 mm*	/	6.000 mm	600 mm/1.050 mm*	2.585 mm

Lifting height	TRIPLEX MAST	
	Lowered height	Free lift
3.600 mm	1.450 mm	780 mm
4.000 mm	1.400 mm	910 mm
4.500 mm	1.300 mm	1.080 mm
5.000 mm	1.000 mm/1.200 mm*	1.280 mm
5.400 mm	800 mm/1.150 mm*	1.410 mm
6.000 mm	550 mm/1.050 mm*	1.640 mm
6.500 mm	1.000 mm*	1.845 mm



*Rated capacity with front dual tires